



EV Charger Commissioning Instructions

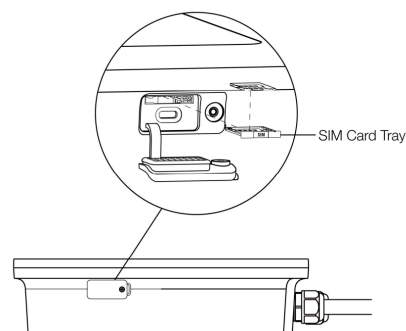
Autel

Tools Needed:

- Smart phone or device
- Autel Charge App
- SWTCH Charger ID labels
- SWTCH SIM cards (for cellular units)

Step 1: Connect Charger to the Internet

- If installing SWTCH Communication Hardware:
 - Make sure the Communication Hardware is properly installed. Refer to SWTCH Communication Specifications
 - Scan the QR code on the Autel user manual
 - Enter the SSID (*SWTCH*) and Password (*Swtch456!*) under the Wifi connectivity section of the app.
- If installing a SIM card:
 - Remove the SIM card cover by first unscrewing the M3 x 10 screw using type T10 screwdriver.
 - Eject the SIM card tray by pressing the tiny button next to the SIM card tray cover using the screwdriver and place the card into it. Make sure that the card is inserted correctly.
 - Reinstall the SIM card cover by following the procedures above in reverse order.
 - Program the APN: [data.apn.name](#)



Step 2: Configure the OCPP URL

- The OCPP URL: [ws://ocpp.swtchev.com/:80/\(address\)](ws://ocpp.swtchev.com/:80/(address))
Here's an example for a URL:
<ws://ocpp.swtchev.com/:80/451-Boulevard-Cure-Labelle-Laval-Quebec>
- The same URL has to be used for each unit.

Step 3: Commission with SWTCH

- Place charger ID labels on the front of each charger
- Schedule on-site Commissioning Call
- Complete Final Commissioning Form
 - Please include the Charger ID and the associated Serial Number. This will allow our team to connect the charger to the specific site address.
- Attend on-site Commissioning Call
 - The SWTCH team will verify connectivity to the SWTCH network and run a test transaction