



Pedestal Installation Manual for Contractors & Installers



Configurations



Tall with dual chargers facing front

The classic configuration - Ideal for locations where the EVs will be parked side-by-side.



Tall with dual chargers on either side

Ideal configuration when your EV chargers are in the middle of a parking row where cars will be parked facing each other.

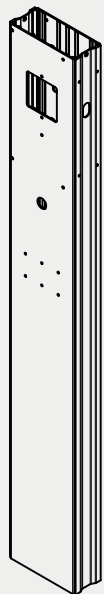


Short with one charger facing front

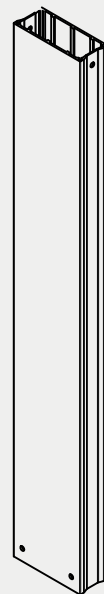
Ideal for producing a more concealed look or when individual chargers are installed in deeded parking spots throughout a parking garage.

Assembly Parts

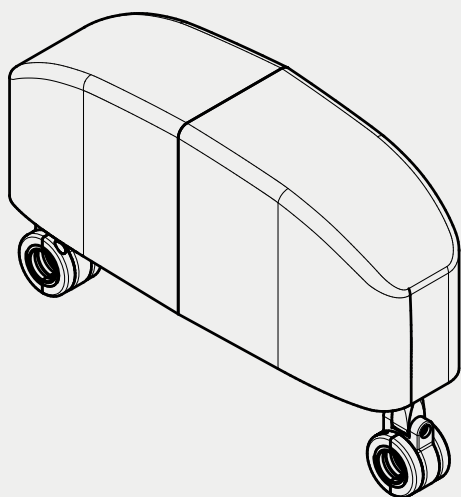
All Assembly Parts are packaged in a cardboard box according to the following part numbers:



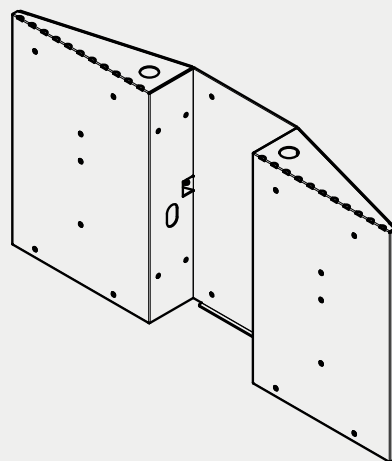
Part 1: Lower Pedestal (PD-LHRN-SS)



Part 2: Upper Pedestal (PD-LHRN-UP)

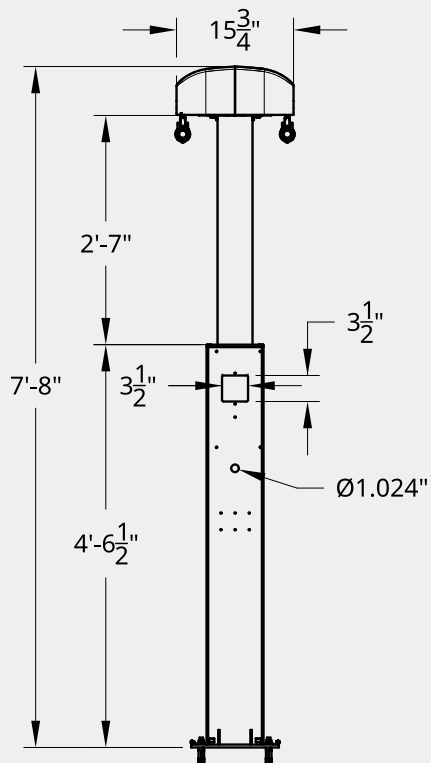


Part 3: Cable Retractor (PD-LHRN-CR)

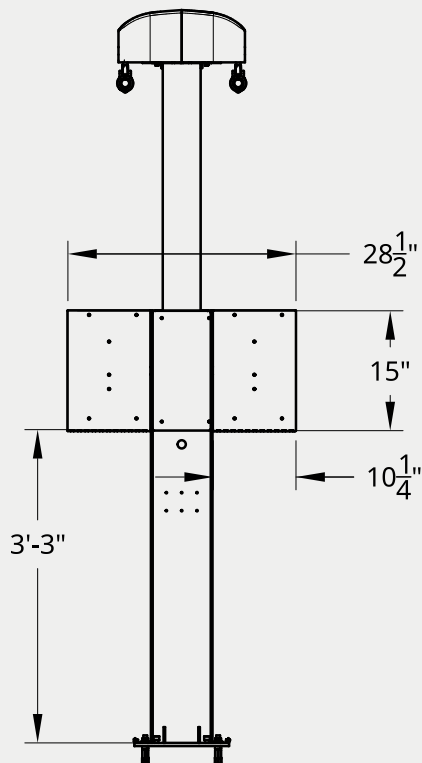


Part 4: Side-by-Side Bracket (PD-LHRN-SS)

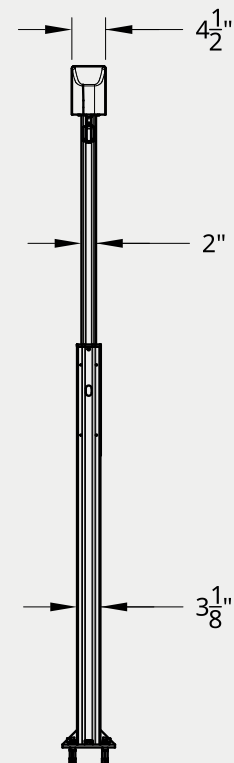
Diagrams



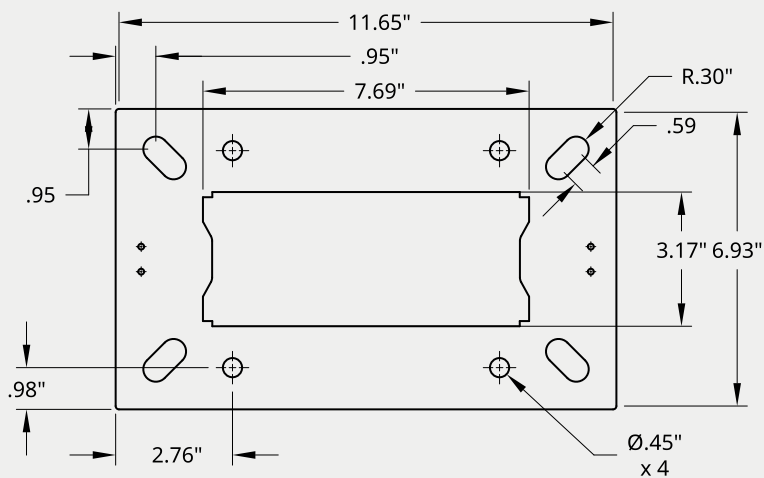
7ft Pedestal,
Back-to-Back Mount



7ft Pedestal,
Side-by-side Mount

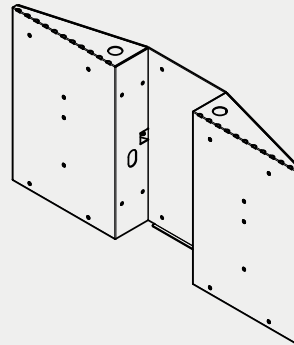
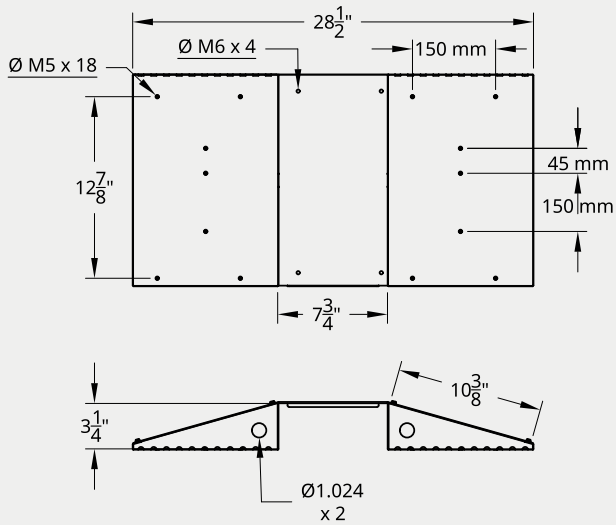


Side view

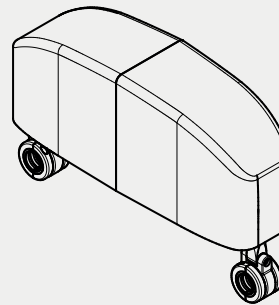
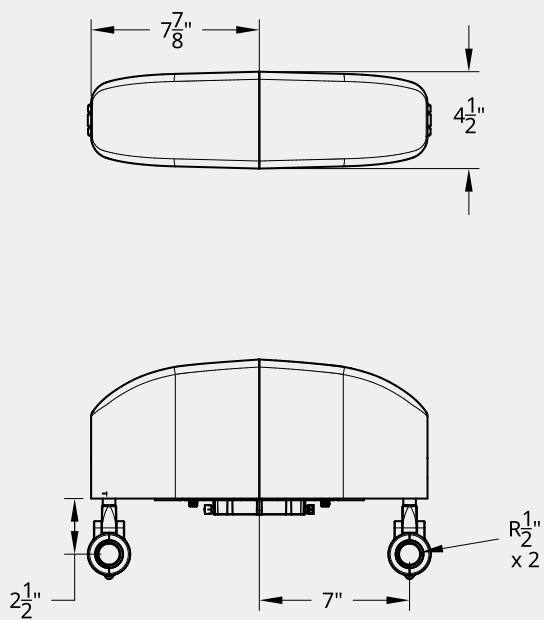


Pedestal
Base

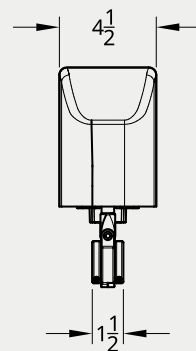
Diagrams



Side
Mounting
Plate



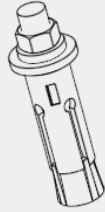
Cable
Retractor



Fasteners

Each assembly part contains a zip-lock bag containing all necessary fasteners. In this document, the following tables will consistently reference each fastener using its designated part number.

Part 1: Lower Pedestal (PD-LHRN-SS)



x4

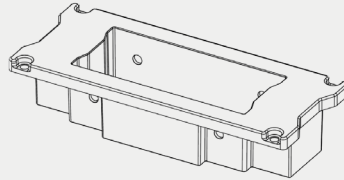
1A - Anchors for concrete base



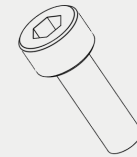
x2

1B - Screws for base cover

Part 2: Upper Pedestal (PD-LHRN-UP)



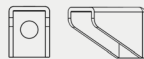
2A - Assembly piece



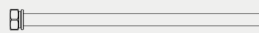
x8

2B - M5 fasteners

Part 3: Cable Retractor (PD-LHRN-CR)



x2

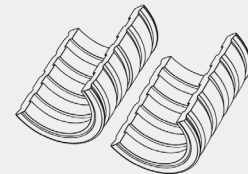


x1



x1

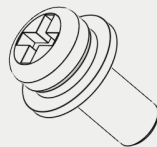
3A - Cable Retractor Mount



x4

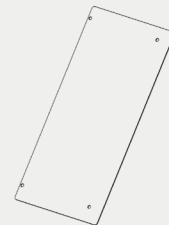
3B - Rubber fittings for various charging cable diameters

Part 4: Side-by-Side Bracket (PD-LHRN-SS)



x12

4A - M4 fasteners

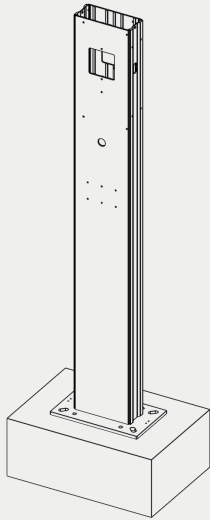


4B - Front Plate cover

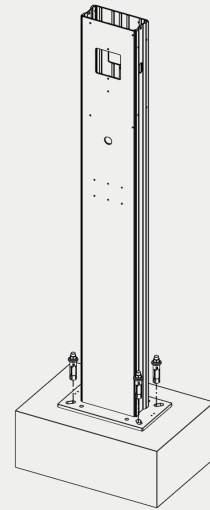
Mounting Bottom Pedestal to Concrete Base

All screws and anchors are in plastic bag corresponding to **Part 1: Lower Pedestal (PD-LHRN-SS)**

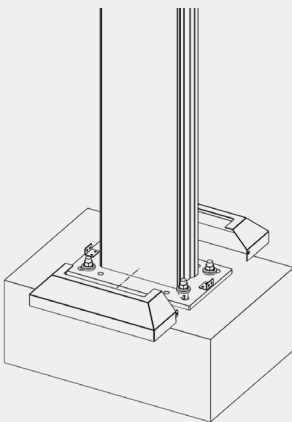
Recommended Concrete Base Sizing is 24" x 24" 8". Ensure the construction of the concrete base follows the local building code and refer to the pedestal base under "Diagrams" section, along with the anchors provided, to safely secure the pedestal.



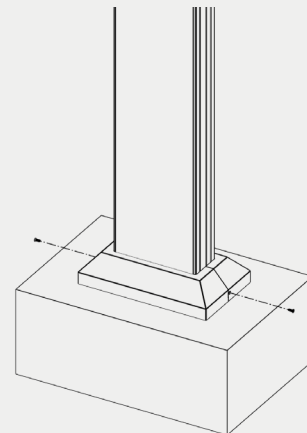
-
1. Align Lower Pedestal (PD-LHRN-SS) to concrete base



-
2. Use the 4 anchors to fasten to concrete base (1A)



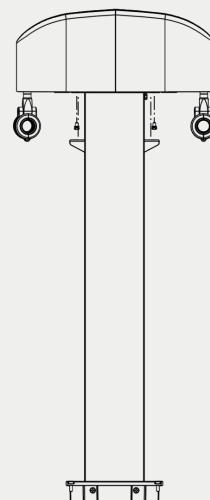
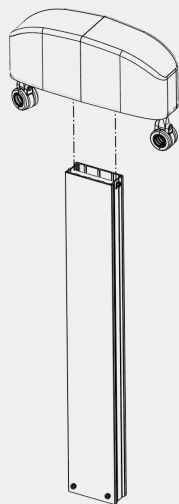
-
3. Flush and fasten base covers (1B)



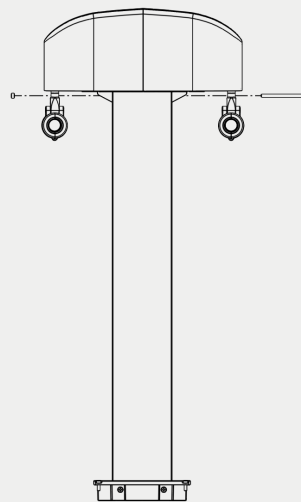
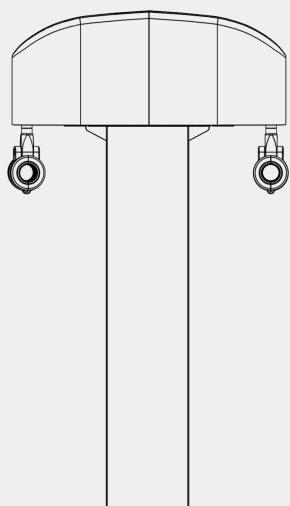
Attaching Cable Retractor

All screws and fasteners are in plastic bag corresponding to

Part 3: Cable Retractor (PD-LHRN-CR)



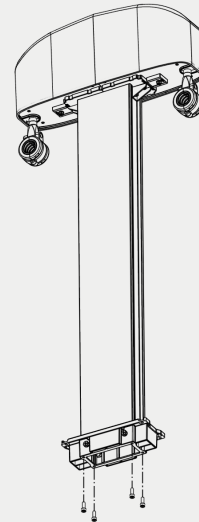
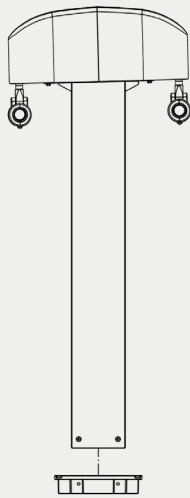
1. Flush Upper Pedestal (PD-LHRN-UP) & Cable Retractor (PD-LHRN-CR) together



2. Use parts (3A) to fasten assembly pieces

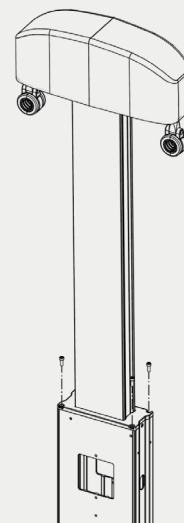
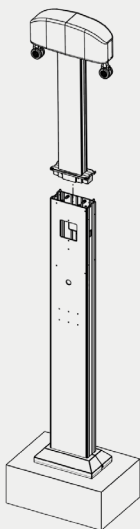
7-ft Pedestal Assembly: Back-to-Back Configuration

All screws and anchors are in plastic bag corresponding to
Part 2: Upper Pedestal (PD-LHRN-UP)



4x M5

3. Flush part (2A) with secured cable retractor and Upper Pedestal



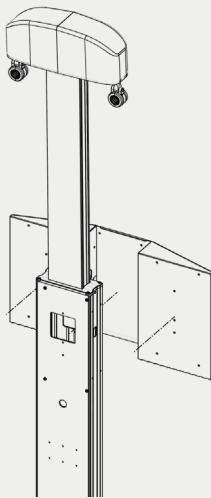
4x M5

4. Secure with M5 fasteners (2B) from the bottom of and top of (2A)

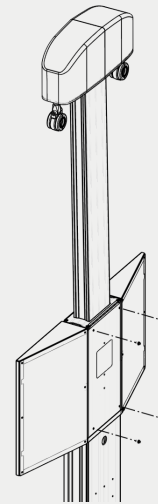
Side-By-Side Mounting Plate Assembly

All screws and fasteners are in plastic bag corresponding to
Part 4: Side-by-Side Bracket (PD-LHRN-SS)

Front view

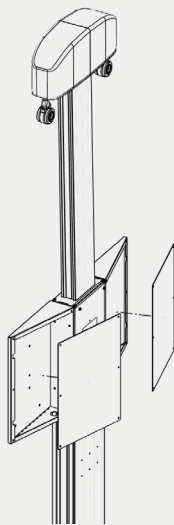


Back view

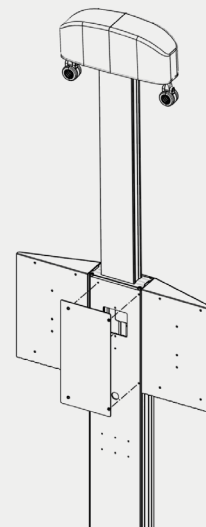


4x M4

1. Attach side-mounting plate onto pedestal and secure with M4 screws to the back plate.



12x M4



4x M4

2. Remove covers as required to fit wires through the pedestal for charger mounting.
Then, attach and fasten front cover plate. Use provided plugs to cover any unused holes.

Mounting Cellular Gateway + Junction Box on the Pedestal

1. Drill $\frac{1}{2}$ " hole in the Upper Pedestal, 4" from the secured Bottom Pedestal. Use a 90-degree Conduit Connector or equivalent to protect the wire from the pedestal to power the Cellular Gateway. Refer to diagram and provide an equivalent solution.

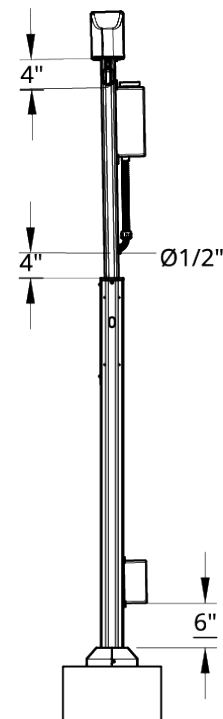
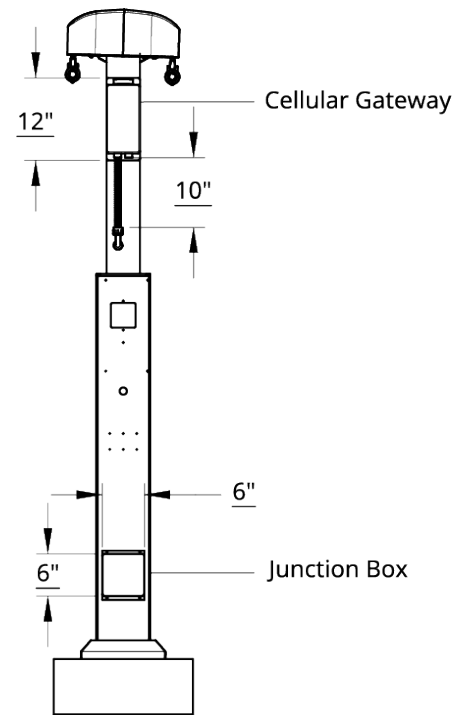
2. Run 10" of flexible plastic conduit from the conduit connector to the inlet of the Gateway on the bottom left-hand side. The gateway inlet is $\frac{1}{2}$ ", threaded.

3. Mark and drill holes in the upper, back-facing section of the pedestal for the cellular gateway.

Recommended mounting area is shown in the image, 4" from the cable retractor.

4. Mount all four holes of the mounting bracket to the pedestal. The mounting screw No. size is M6 or equal.

5. Mount a 6"x 6" or similarly sized junction box 6" from the pedestal base cover to house electrical connections for chargers and communication hardware.



Please refer to the SWTCH- Communication Technical Specification document for install requirements for the Outdoor Cellular Gateway.

Mounting Chargers onto the Pedestal

The pre-installed mounting holes on the pedestal accommodate the Level 2 EVSE listed below:



- LiteON 32A, Wireless/Cellular
- LiteON 40A, Wireless/Cellular



- Zerova AX48, Wireless/Cellular
- Zerova AX80, Wireless/Cellular

Installing hardware not listed in the above will require a separate set of fasteners. It is recommended to use self-tapping screws while following the hardware installation manual of the new EVSE.

Connect with us.

Email us today at
sales@swtchenergy.com

[SWTCHENERGY.COM](https://www.swtchenergy.com)
1-844-798-2438

