



EV Hardware Spec Sheet

**WALL MOUNT
CABLE RETRACTOR**

SWTCH Wall Mount Cable Management

Model #: SF. D0360

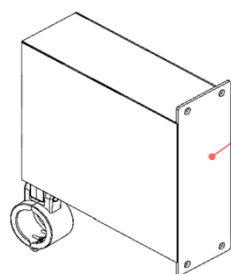
Spring Loaded Tether

Ratchet Lock Integrated

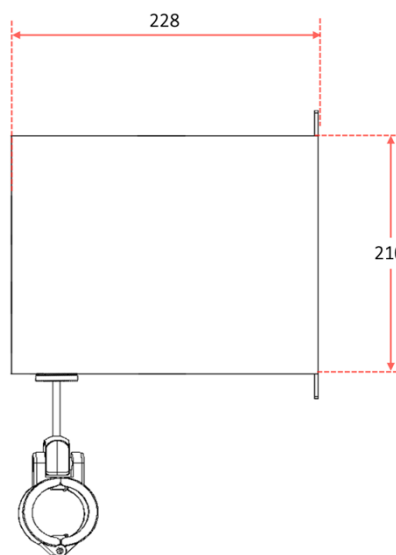
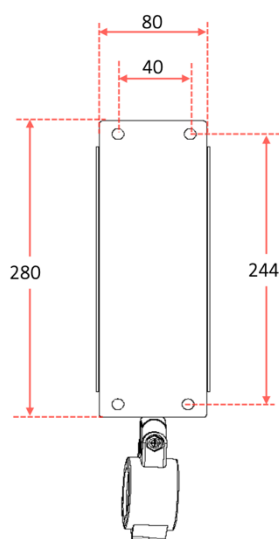
Universal Retractor for L2 EV Chargers



Specifications	
Retract Tension	5 [kg]
Retract Extension Range	3.5 [m] for max 25 [ft] charging cable
Auto Stop	Yes, with ratcheting lock integrated
Lifetimes	10,000 times
Spring Material	SK95
House Case Material	Steel Housing, Powder Coat Black/White

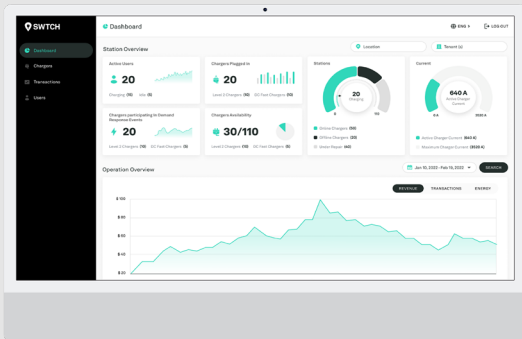


Mounting Bracket 3 [mm] Thickness



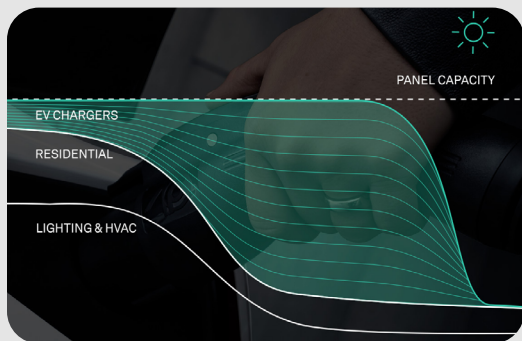
Drawing dimensions in [mm]

EV Charging for Busy Buildings



SWTCH's EV charging management platform is designed specifically for multi-tenant buildings

By leveraging state-of-the-art software technology, SWTCH OST™ enables unit owners and building management to successfully deploy and manage a cost-effective EV charging system that works for your EV charging system today, and in the future.



SWTCH's Intelligent load manager can manage up to 10x more chargers on your existing capacity

SWTCH Control™ intelligently distributes energy to the chargers based on the real-time capacity available on the circuit, panel and/or building, allowing buildings to safely install up to 10 times the number of chargers on your existing electrical infrastructure.



A first-class charging experience - complete with 24/7/365 driver support

Our flexible charging experience ensures EV drivers can get the charge they need, when and how they want it:

- iPhone & Android app
- No download required via SWTCH's in-browser app
- Tap-and-go charging with our complimentary RFID card

Our team of live customer support agents are available via phone and email around the clock to ensure your chargers are working well and drivers have a delightful charging experience, every time.